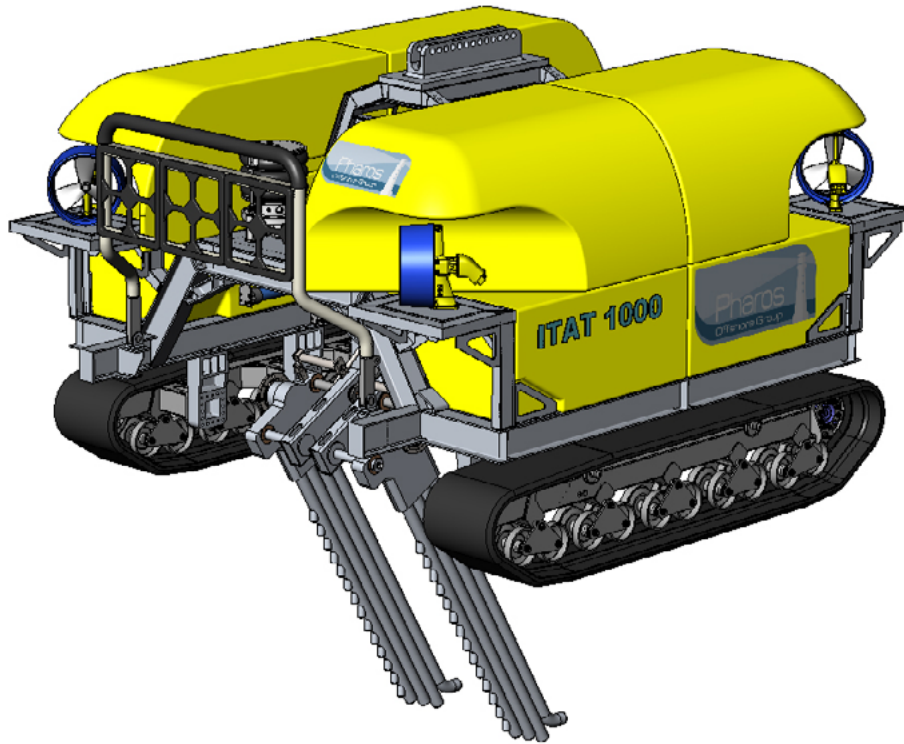
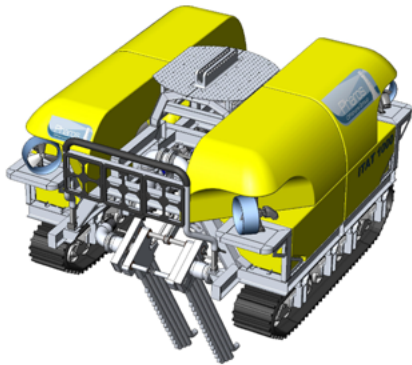


ITAT1000 Trenching ROV



The ITAT1000 is a 1000HP (745kW) self-propelled trenching remotely operated vehicle (TROV) designed to bury submarine power cables quickly and economically as part of Pharos' solution for offshore cable installation.

Pharos Offshore Group delivers engineering solutions for subsea cable installation, maintenance and repair. We work with clients across the offshore oil & gas, submarine telecoms and renewable power industries.



The ITAT1000 is a 1000HP (745kW) self-propelled trenching ROV that can be easily manoeuvred by the operators on board its support vessel.

This powerful ROV provides up to 3m burial capability in water depths of up to 250m. Its interchangeable tooling system provides the flexibility to meet the requirements of the most demanding undersea cable installation and maintenance operations.

The vehicle incorporates Pharos Offshores' design philosophy of utilising Commercial Off The Shelf (COTS) components with large industrial user groups to provide reliable, proven technologies which will reduce downtime and project costs. The ITAT1000 jetting system is based on our established jetting technology, applying power where it's required and reducing inefficiencies where possible. The system design provides a rugged, reliable and effective tool for the demanding subsea environment. Intended for installation the ITAT1000 has a range of manipulator and tooling options as well as interfaces for all recognised surveillance and location technologies.

ITAT1000 DETAILS:

Depth Rating:

10m - 250m Seawater (3000m Optional)

Power:

1000HP (745kW)

Hydraulic Power Unit:

300hp, 4,160VAC, 3 phase, 60hertz , 1800RPM, two pump tandem coupled set

Jetting System:

2x 350hp (261kW), 3600RPM, 4x160 VAC, variable frequency controlled, oil filled electric motors each coupled to a water pump

Ship Power Requirements:

1250kVA, (1500kW or larger if supplied by standalone generator)

Umbilical:

500m of Strength Member Umbilical (convertible to 3000m)

Buoyancy:

DIAB Flotation Blocks rated to 250m (Blocks rated to 3000m optional)

Weight in Air:

17t approx.

Weight in Sea Water:

Neutral to 7t

General Dimensions:

L 5.5m (216") x W 4.9m (192") x H 3.7m (144")

System Footprint:

150m³ (modular)

Burial Capacity:

Up to 3m

Burial Speed:

Up to 1km/h in non-cohesive soils

Product Capacity:

Max Passage 609mm (24") between jetting swords

Jetting Configuration:

Single / Dual Swords education or backwash

Propulsion:

Tracked with horizontal thrusters for water column positioning

Track Speed:

0 to 2500m/h

Thrusters:

4 Hydraulic proportionally controlled

Components:

Commercial Off-The-Shelf (COTS)
Proven Components (3000m rated)

Control System:

Single Mode fibre optic multiplexed PLC/
SCADA based

Get in touch

✉ info@pharos-offshore.com

☎ +44 (0)1242 574041

📍 Pharos Offshore Group
35 St Georges Road
Cheltenham
GL50 3DU

www.pharosoffshoregroup.com

ITAT1000 DETAILS:

Tooling:

Power Cable, Telecom Cable and Pipe
Options

Surveillance:

Doppler Velocity Log (DVL)
Cameras
Lights
Pan & Tilt Mounts
Imaging Sonar (Fore and Aft)
TSS or Innovatum Product Tracker
(supply is optional)
USBL Responder Beacons
Depth Sensor, Altimeter
Gyro Compass
Internal Motion Reference Unit (IMU)
Locating Beacon
Seawater Detect
Temperature, additional options available

Optional Tooling:

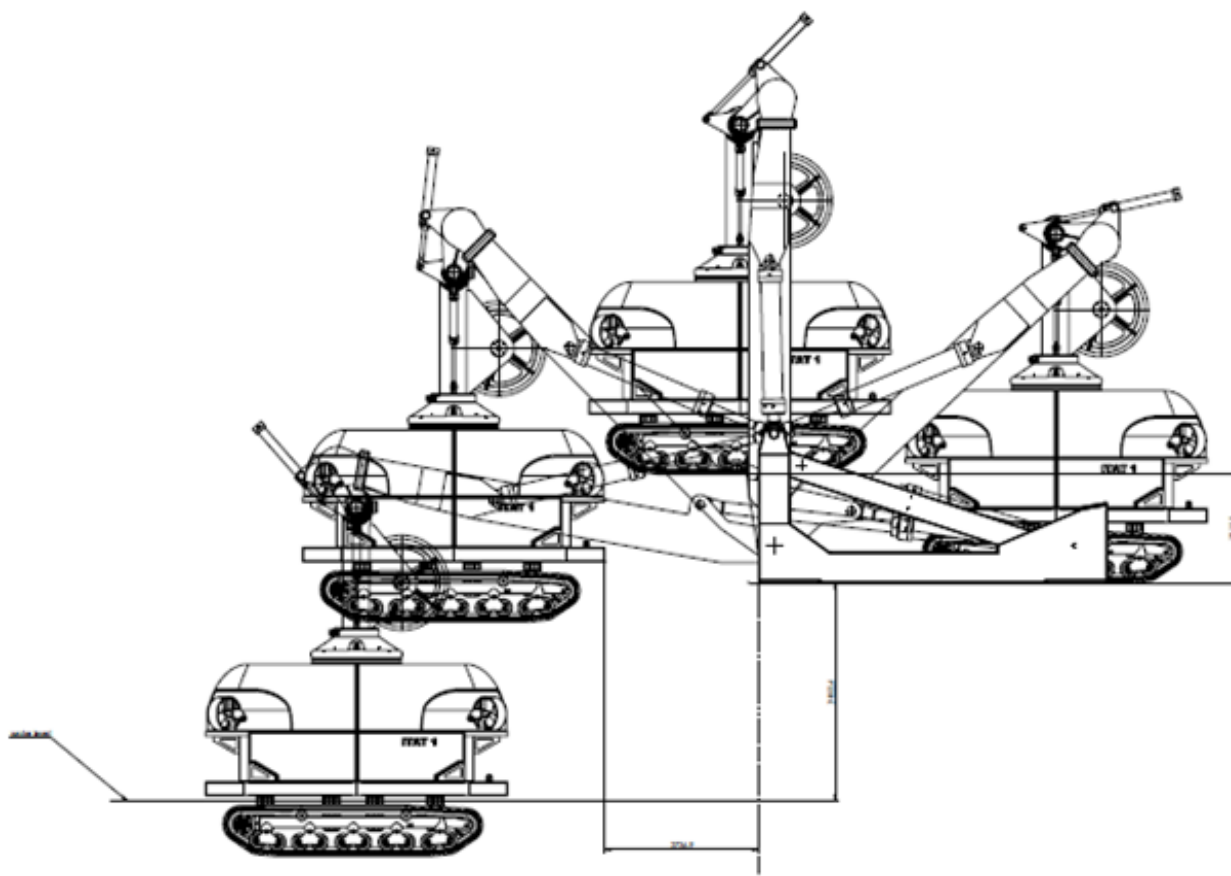
CPT and Sediment Core Sampler
Pipe Handling
Zip Pumps
Cable Cutters
Cable Grippers
Manipulators

Launch And Recovery System (LARS):

A-Frame with Winch

Additional Spread Items:

Control Cabin
Power Vans
Workshop Van
Spares Van
Hydraulic Power Unit (HPU)
Auxiliary Power Unit (APU)
Deck Controls Kiosk



Get in touch

✉ info@pharos-offshore.com
☎ +44 (0)1242 574041

📍 Pharos Offshore Group
35 St Georges Road
Cheltenham
GL50 3DU

www.pharosoffshoregroup.com